

Over-the-Shoulder (OTS) Laser Process Unit



Features:

- Compatibility with a variety of high-power lasers from multiple OEM Laser Companies*
- Operator Safety
 - Deadman Switch
 - Automatic Laser shut-down when not on target (available upon request)
- Ergonomic Design
 - Quick disconnect for cables and hoses
- HEPA self-cleaning Pulse-Bac vacuum exhaust for a debris particulate collection
- Laser Process Control (LPC) for selective layer by layer removal prevents damage to the base material

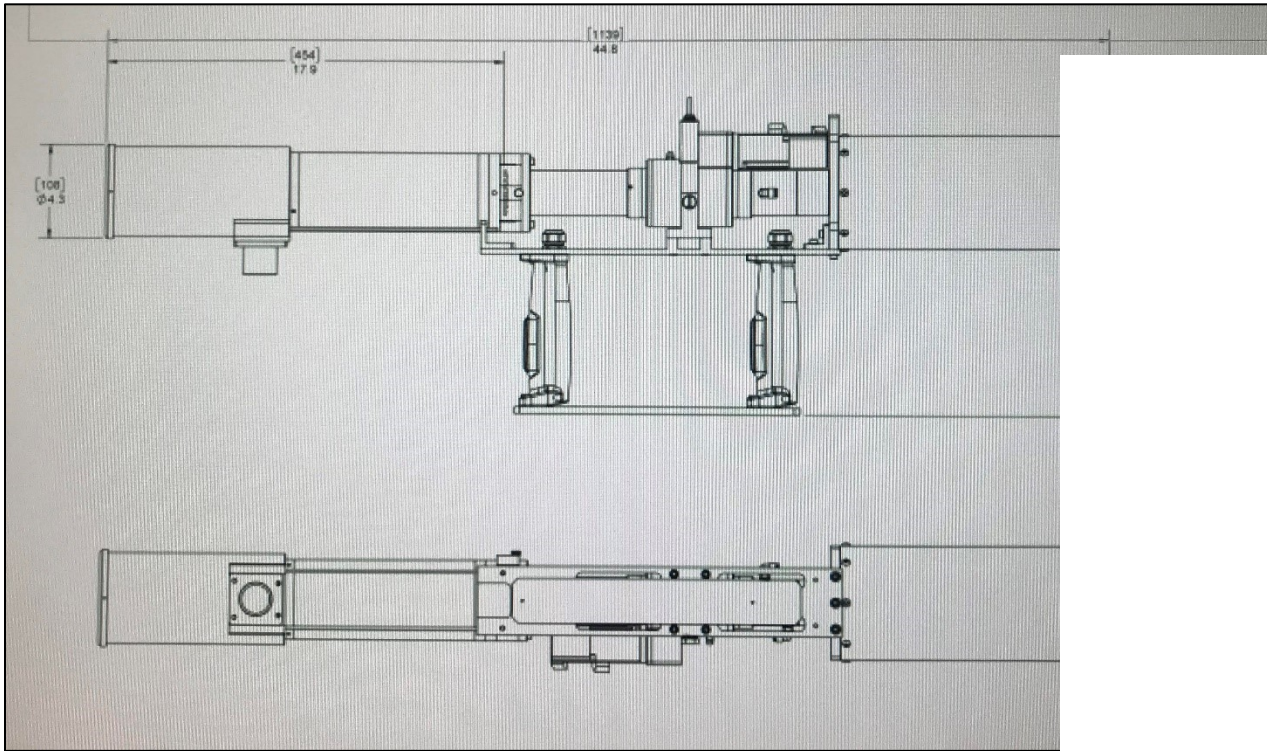
Applications:

- Paint Removal & De-Coating
- Surface Preparation for Adhesive Bond and Coating
- Mold Cleaning
- De-Oiling
- Surface Structuring
- Restoration of Stone, Brick, Concrete
- Ideal for Sensitive Substrate Cleaning i.e. CFRP
- Corrosion Cleaning

Laser coating removal competes with chemical, abrasive, and water blasting methods. These methods generate hazardous waste, require personal protective apparatus, and are not compatible with composites, fiberglass, alloys, and other materials used in manufacturing of high dollar assets today.

SurClean focuses on the workhorse of any laser system – the beam delivery. We marry our laser beam delivery system with off the shelf laser sources, chillers, exhaust/fume extraction and address the customer's specific application utilizing the correct laser power source from *OEM's Coherent, Laserline, TRUMPF, Rofin, Teradiode, and others. Our customers receive the latest technology and power levels, as the laser industry continues to push forward with new developments and our engineers continue revolutionizing the SurClean laser ablation solution.

Overall Dimensions:



SurClean LPC FEATURES:

- Online monitoring of the Laser Beam Ablation Process
- Detects Paint, Primer and Base Materials
- Real-time information
- Contactless
- Non-destructive
- CW and PULSED Laser Modes
- Adaptable Detector Configuration
- Closed loop Laser Power Control
- Suitable for all Industrial Laser Beam Sources



The OTS was designed by interviewing current sand blast operators working in the bridge maintenance market.

